



CABLE 169 RF: RF CABLE ASSEMBLY, I-PEX MHF PLUG + SMA R/A BULKHEAD JACK + MULTIPLE CABLE SIZES, 6GHz

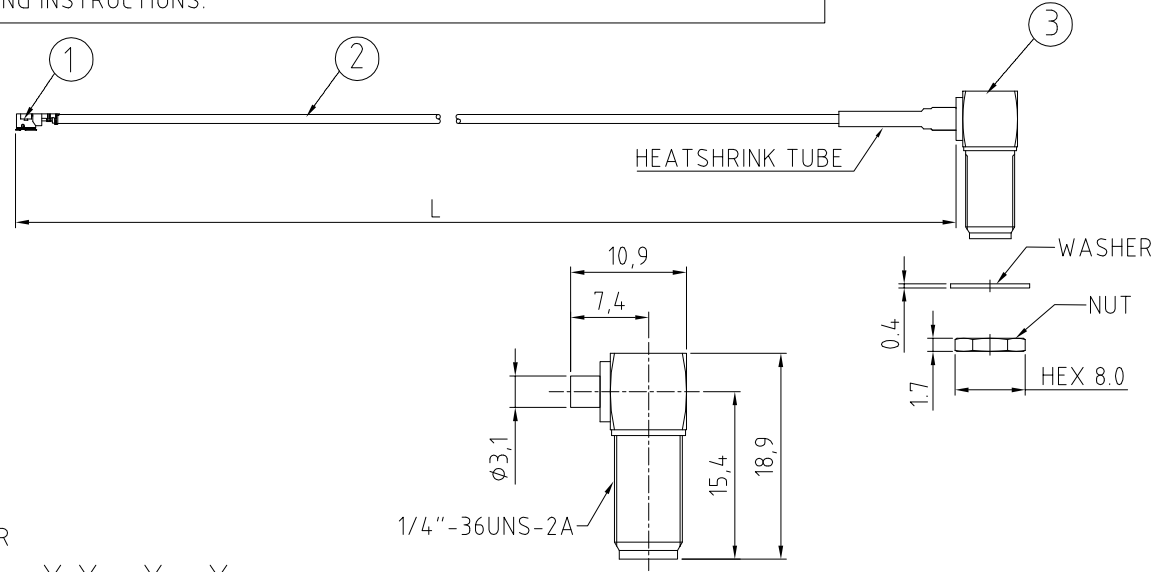
SPECIFICATIONS:

- I-PEX MHF PLUG, P/N:
FOR $\phi 1.13\text{MM}$ CABLE: 20278-112R-13.
FOR $\phi 1.32\text{MM}$ CABLE: 20278-112R-32.
- COAXIAL CABLE, SEE P/N OPTIONS FOR DETAIL.
- SMA RIGHT ANGLE BULKHEAD JACK, P/N:
FOR $\phi 1.13\text{MM}$ CABLE: RFCT-SMA066-F13.
FOR $\phi 1.32\text{MM}$ CABLE: RFCT-SMA066-F32.

USAGE PRECAUTIONS: CABLES USING 'MICRO' COAX ARE DELICATE:
 (i) HANDLE WITH CARE.
 (ii) DO NOT TWIST; APPLY EXCESSIVE FORCES OR SHARP BENDS TO THE CABLE. DO NOT FORCEFULLY DEFORM WIRES.
 (iii) CONSULT CONNECTOR MANUFACTURER'S DATASHEETS FOR DETAILED NOTES ON HANDLING INSTRUCTIONS.

NOTES:

- THE ORIENTATION OF CONNECTORS ON DRAWING IS FOR REFERENCE ONLY, IF THE ORDER IS LEFT BLANK THE CONNECTOR WILL NOT HAVE FIXED ORIENTATION.
- FIXED ORIENTATION IS SUGGESTED FOR CABLE LENGTH 50MM TO 100MM. PLEASE SPECIFY THE FIXED ORIENTATIONS FROM THE ORDER CODE (F1, F2, ETC)
- CONTACT GRAD CONN IF THE ORIENTATION YOU REQUIRE IS NOT SHOWN.
- WORKING FREQUENCY RANGE: DC - 6GHz.
- OPERATING TEMPERATURE: -40°C TO $+85^{\circ}\text{C}$
- IMPEDANCE: 50 OHM.



HOW TO ORDER

CABLE 169 RF - X X X - X X - X - X

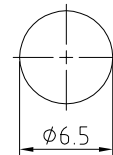
"L" LENGTH IN MM
 eg: 100MM = 100
 (MIN. 050-MAX.400)
 STANDARD = 100, 150, 200
 Tolerance: 50mm : $\pm 2\text{mm}$.
 51-200mm: $\pm 5\text{mm}$.
 201-400mm: $\pm 7\text{mm}$.

CABLE SIZE OPTIONS:
 1 = $\phi 1.13\text{MM}$ CABLE, COLOR: GRAY
 2 = $\phi 1.32\text{MM}$ CABLE, COLOR: GRAY

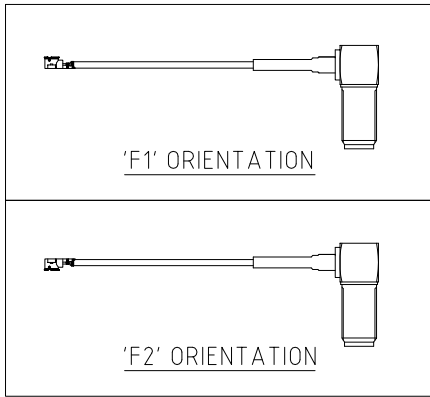
WASHER AND NUT OPTIONS:
 BLANK = SEPERATELY PACKED (STANDARD)
 A = ASSEMBLED WITH CONNECTOR

ORIENTATION OPTIONS:
 BLANK = DOES NOT HAVE A FIXED ORIENTATION
 F1 = MHF CONNECTION UP (L=50-200MM)
 F2 = MHF CONNECTION DOWN (L=50-200MM)
 (SEE NOTES 1, 2, 3 AND DIAGRAMS FOR MORE INFORMATION)

SMA JACK DETAIL DIMENSION



RECOMMENDED SMA MOUNTING HOLE



REV. DATE & DRN
 10 17/04/14 - NYW RELEASE
 11 02/07/21 - NYW
 ADD SMA MOUNTING HOLE
 ADD ANGLE 15.2 & A
 12 26/10/23 - NYW
 ADD CABLE SIZE OPTION 2.

Scale: NTS	THIRD ANGLE	Unstated X .XX .XXX ANGLES	Tolerances: ± 0.2 ± 0.2 ± 0.2 ± 5	Material SEE NOTE
Drawn: NYW				
App'd: XXX	Title: CABLE ASSEMBLY	NOT TO SCALE		
Date: 26 OCT. '23	Revision: 1.2	Unit: mm		

www.gradconn.com

THIS DRAWING IS CONFIDENTIAL AND MUST NOT BE COPIED OR DISCLOSED WITHOUT WRITTEN CONSENT

Type: Cable 169 RF
CABLE 169 RF
Drawing Number:
Sheet 1 of 1
Drawing © E and O E